

NC ROTARY TABLE

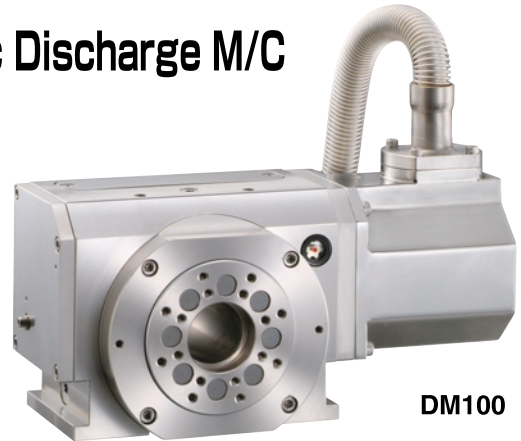
Exclusive NC Rotary Table for Wire Cutting Electric Discharge Machinery

DM100

Exclusive table for Wire Cutting Electric Discharge M/C

Reliable Performance for use in water

- Light weight · Compact
- Stainless Steel construction and special seals prevent rust and ensure waterproofing
- Large through hole for long work pieces
- High accuracy and function
- Maintenance free accomplished by built-in current collector
- Special purpose vertical use



DM100

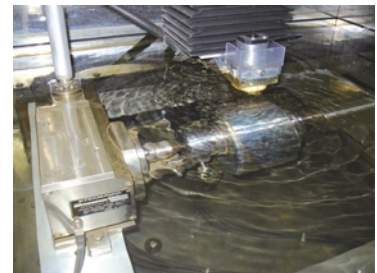
Specifications

Model		DM100
Table dia (mm)		φ 100
Register diameter on Face Plate (mm)		φ 45H7
Spindle through hole diameter (mm)		φ 40
Centre Height (mm)		65
Motor axis reduced inertia (kg·m ²)		0.000054
Servomotor (for FANUC specification)		β M 0.5/4000 / β IS 0.5/6000
Gear ratio		1 / 120
Max. spindle speed	for FANUC specification (for min ⁻¹ / motor 360min ⁻¹)	3.0
	M signal specification (for min ⁻¹ / motor 360min ⁻¹)	3.0
Min. spindle speed	for FANUC specification (for min ⁻¹ / motor 0.33min ⁻¹)	0.00275
	M signal specification (for min ⁻¹ / motor 3.6min ⁻¹)	0.03
Allowable work inertia (kg·m ²)		0.025
Indexing accuracy (sec)		30
Repeatability (sec)		5
Mass of product (kg)		20
Manual Tailstock (as an option)		DM100RN01
Allowable Load	Vertical (kg)	20
Erosion current (A)		20
Protection grade		IP68 (submerged 0.5m) However, piping opening part is excluded.

(Note)

- There is no clamp method. The described fully-closed spec. Is with Fanuc absolute α iCZ sensor A860-2164-T411.
- Please contact Kitagawa if Heidenhain direct codes are required.
- Product mass is determined by Kitagawa own controller spec.

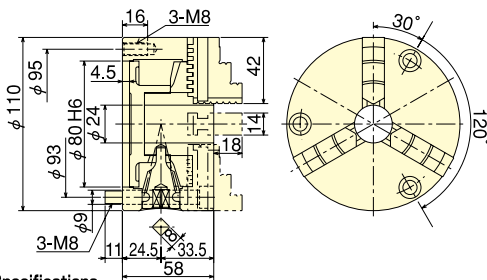
Sample Application



▲ Rust and waterproof for safe use in water.

Scroll chuck SC-4D dimensions.

※Special surface treatment prevents rust.

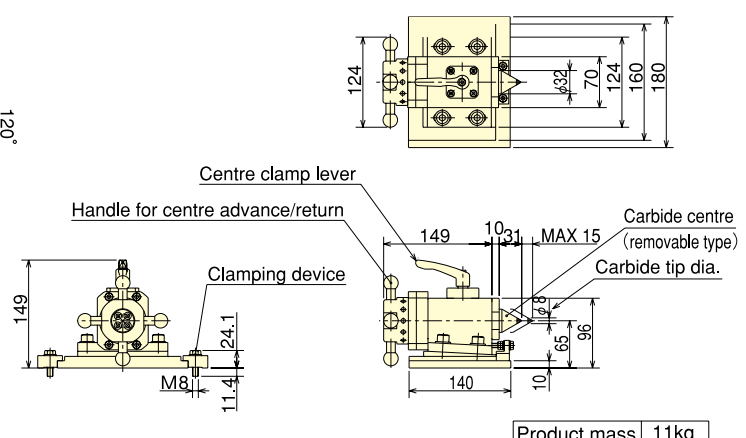


Specifications

Max. allowable handle torque (N·m)	Max. static gripping force (kN)	Max. allowable speed (min ⁻¹)
44.1	12	100
Mass (kg)	Moment of inertia (kg·m ²)	Gripping diameter (mm)
		Outside gripping Inside gripping
3.1	0.004	φ 3~φ 95 φ 29~φ 84

Manual tailstock DM100RN01 dimensions.

※Rust proof and waterproof. Long work pieces can be supported securely.



Product mass 11kg

4th axis specifications

DM 100 R * * *

Type: DM 100
Table Size: 100
Design No.: * * *
Motor type: * * *
Right hand

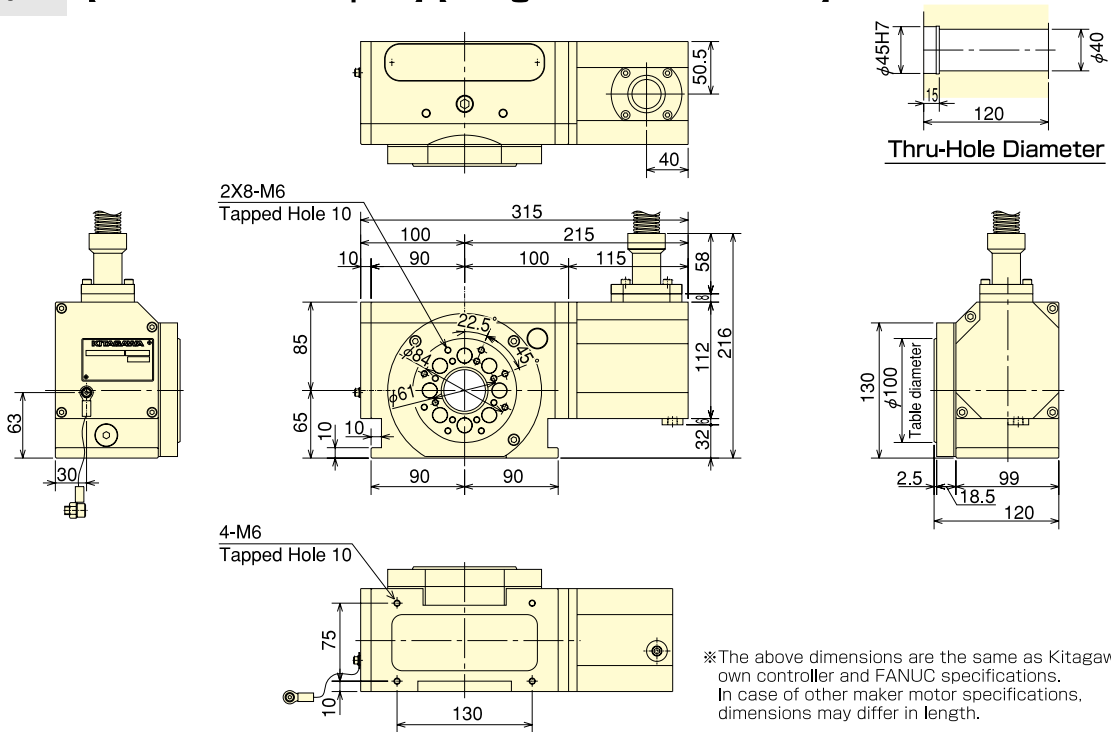
M signal specification

DM M 100 R 8 * *

Type: DM M 100
Table Size: 100
Design No.: 8 * *
Kitagawa own controller (8:MAC mini iDM)
Right hand
Kitagawa own controller

■Dimensions

DM100 [Additional axis spec.] [Kitagawa own controller]



DM100 [4th axis Fully-closed encoder spec.]

