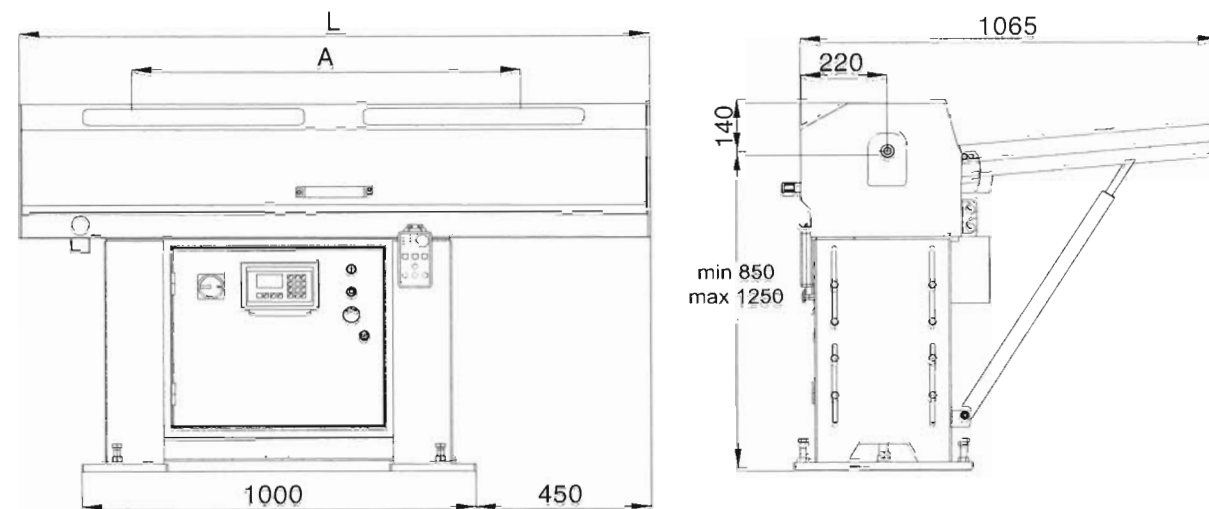




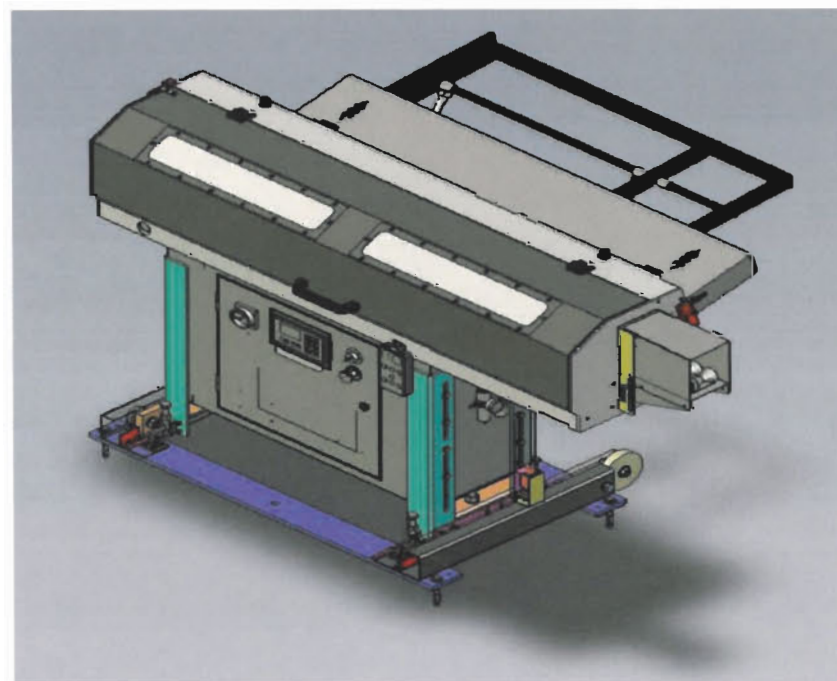
Bars: 6 to 66 mm
 Magazine capacity:
 600 mm or 10 bars (60 mm)

Easy to use
 Y shifting device
 3 Bar pushers (D=6/12/20)



L = 1900 mm
 Max bar length (A) = 1500 mm
 H = 850–1250 mm

Bar diameter = 5–66 mm
 Compressed air = 5-7 Kg/cm²
 Voltage = 220–380 V 50-60 Hz
 Weight = 245 Kg



PLC control system
 Big bar rack with anti-vibration elastic block
 Multi language keyboard display
 Removable control device

Encoder control system
 Horizontal movement
 Anti vibration loading device
 Bar size adjustment device
 Front Guide for bar transit