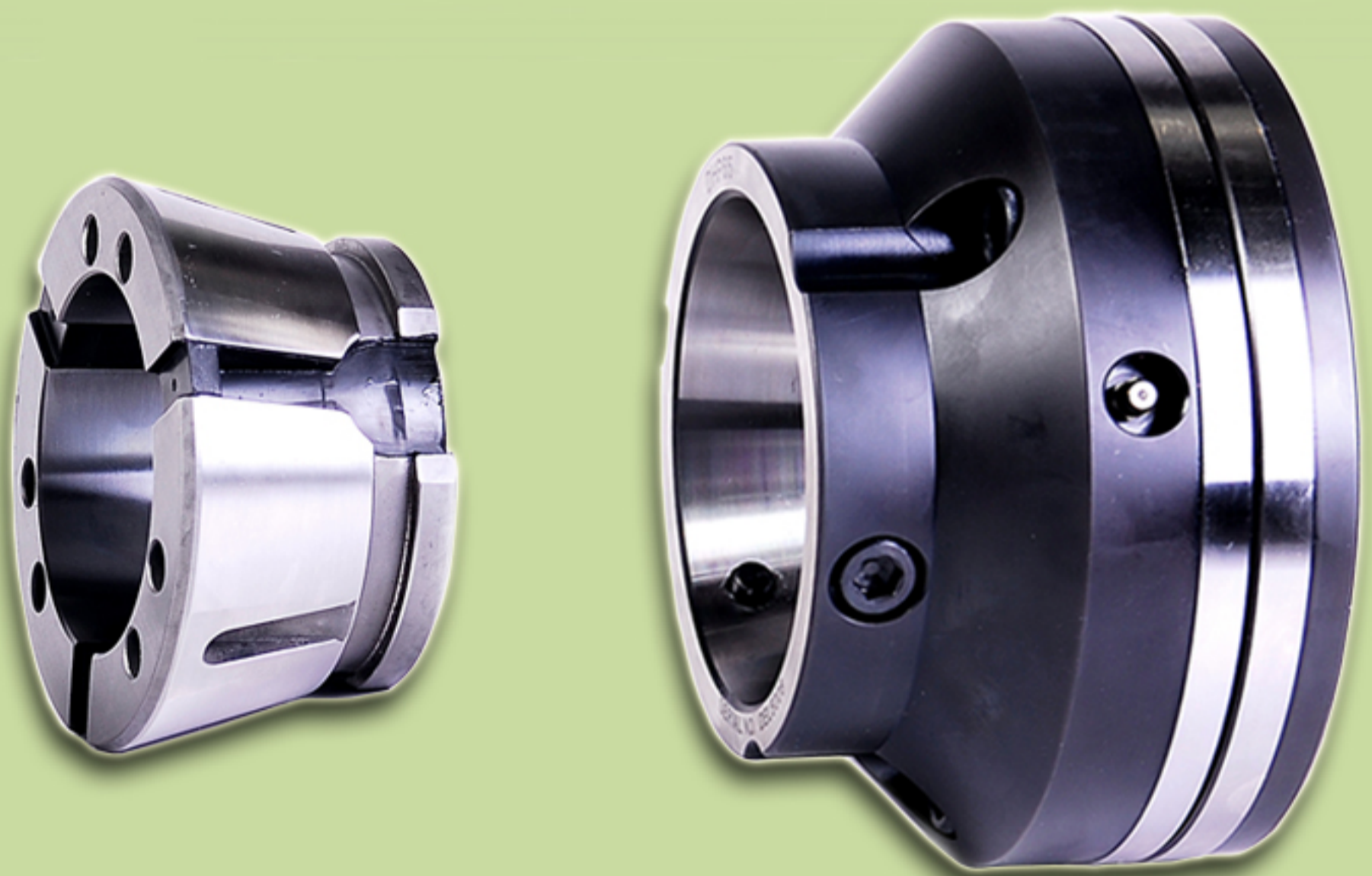


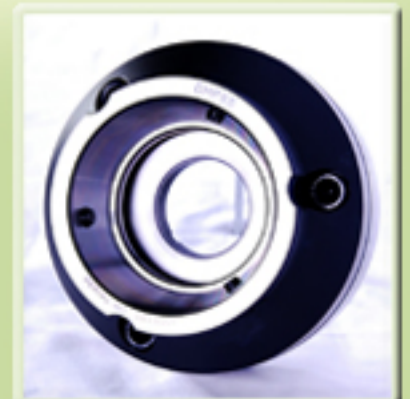
# DHP SERIES

## Pull Back Collet Chuck

DHP65-A5 ● DHP65-A6 ● DHP65-A8

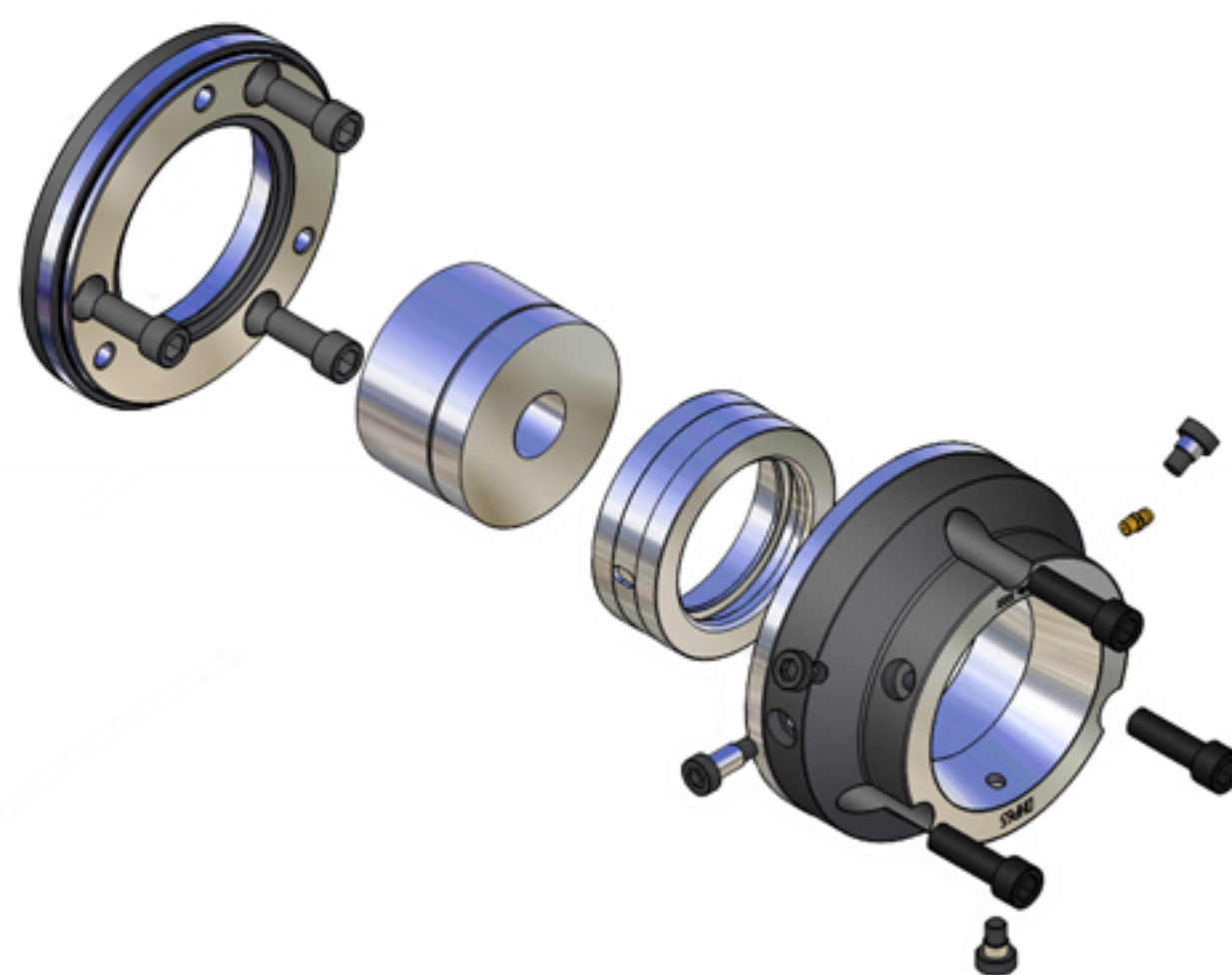
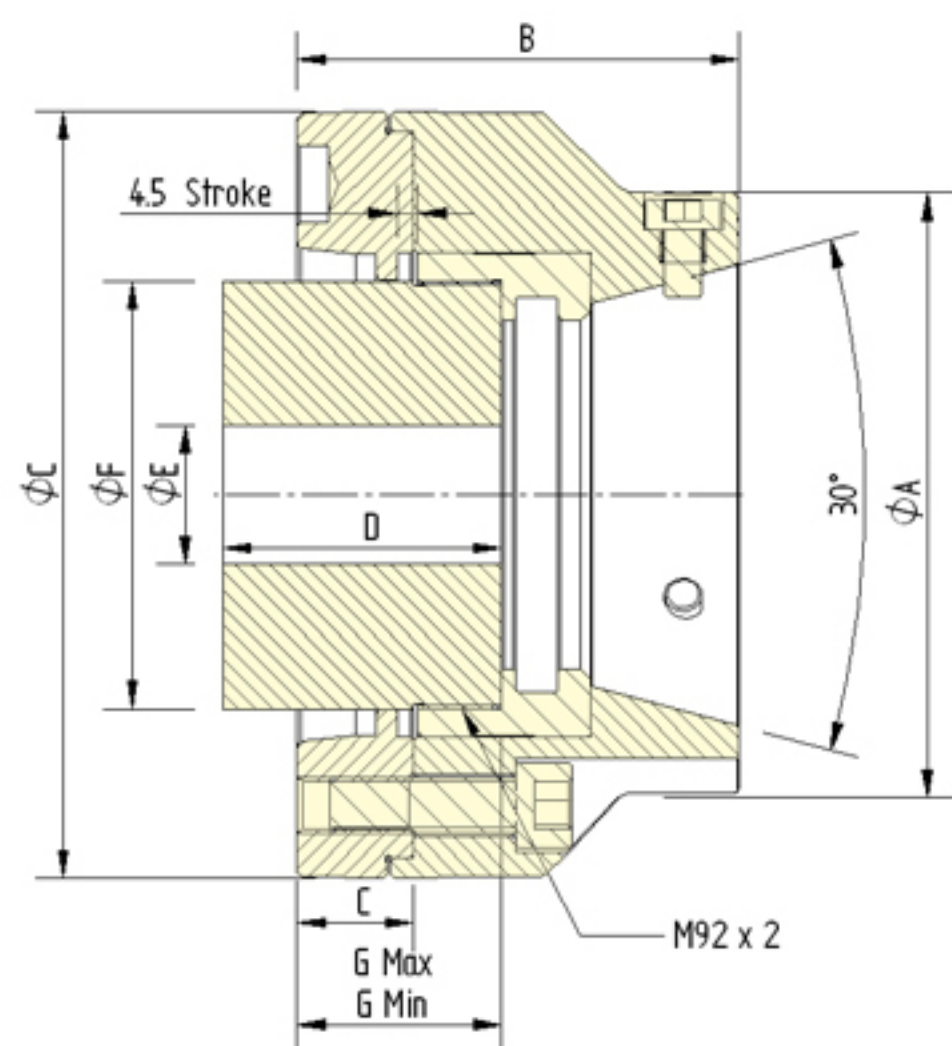


- Compact Design and Pull back action for secure and accurate clamping
- A2-5, A2-6 and A2-8 Mount versions available
- Compatible with popular 65mm quick change collet clamping heads
- Optional Collet Changing Device for quick and easy changeover



**Pull Back Series Power Collet Chucks**

- Pull back chuck for first operation.
- Compact design and high accuracy.
- Optional collet changing device.
- Compatible with 65mm quick change collet clamping heads.



SPECIFICATIONS		DHP65-A5	DHP65-A6	DHP65-A8
Gripping Range - Round	Max mm	65	65	65
	Min mm	4	4	4
Collet Increment	mm	0.5	0.5	0.5
Sleeve Stroke	mm	4.5	4.5	4.5
Max Input Force	kN	45	45	45
Max Gripping Force	kN	105	105	105
Max Speed (r.p.m)	min <sup>-1</sup>	6000	6000	6000
Net Weight	kg	9	9	11
Matching Cylinder		S1875	S1875	S1875
Collet / Clamping Head		DC-65	DC-65	DC-65

DIMENSIONS	DHP65-A5	DHP65-A6	DHP65-A8
Mount	A2-5	A2-6	A2-8
A	130	130	130
B	95	95	115
C	165	165	210
D	60	60	60
E Max	M70x2	M85x2	M85x2
F	79	92	92
G Max	44	44	64
G Min	39.5	39.5	59.5

**KITAGAWA**  
— EUROPE LTD —

UNIT 1 • THE HEADLANDS • DOWNTON • SALISBURY • WILTS • SP5 3JJ • UK

TELEPHONE +44 1725 514000 • FAX +44 1725 514001

E-MAIL: uk@kitagawaeurope.com • export@kitagawaeurope.com

www.kitagawaeurope.com